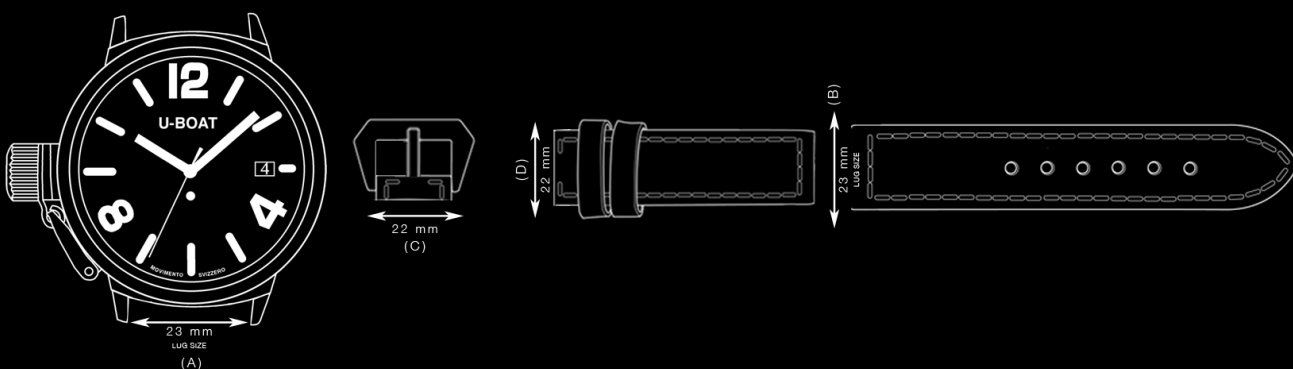
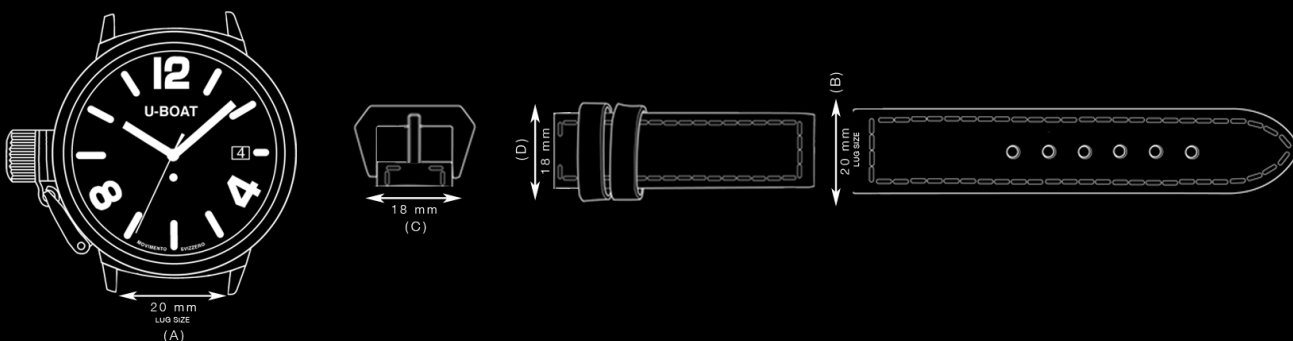
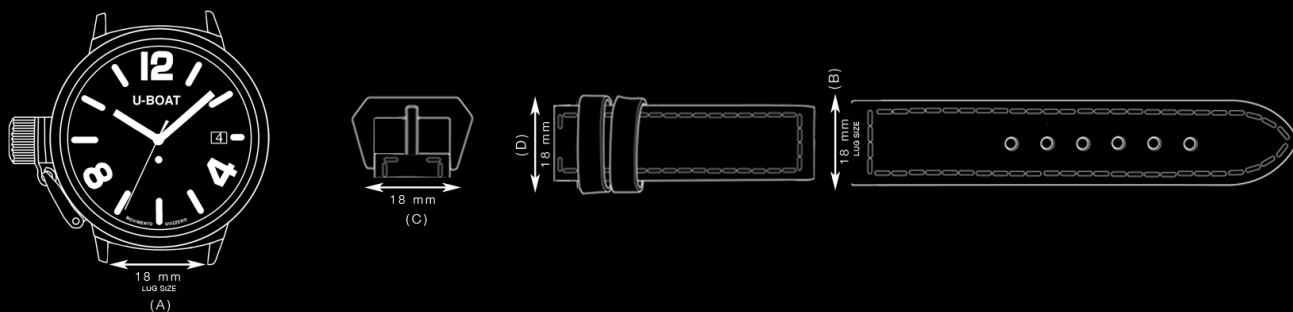


STRAP SIZE GUIDE



- 1) measure the inside distance between lugs of your watch.(A)
- 2) choose the strap that has the width (B)corresponding to the distance between lugs.(A) make sure that the width of the buckle (C) corresponding to the size (D) of the strap.

First number indicates the measure corresponding to the inside distance between lugs.(B)
 Second number indicates the width corresponding to the inside distance of the buckle.(D)
 e.g.: U-STRAP SS 23/22 mm